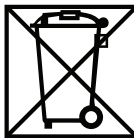


Technical Specs

General	
Battery	Lithium Ion 14.4V (20Ah-288Whr Nominal)
Spot Light	1W-2W
Area light	1W each
Approximate Charge Time	
HANS™ Free Electric Bike	2-4 Hours
HANS™ PowerPack 300 Solar Panel	66 Hours
HANS™ PowerPack AC Wall Charger	7-8 Hours
HANS™ Solar BriefCase 60	7-10 Hours
Charging Inputs	
HANS™ Free Electric™ E-Bike	up to 150W
HANS™ PowerPack 300 Solar Panel	4.5W
HANS™ PowerPack AC Wall Charger	3A (50W)
HANS™ Solar BriefCase 60	60W
Power Ports	
12V DC Port	11.5-16.8V (11A max)
USB Port for standard USB devices	5V (2.4A)
General	
Weight	9 lbs (4kg)
Dimensions	9.9 x 5.2 x 12.7 in. 252.4 x 131 x 319.7 mm.
Charge Temperature	32°F to 113°F
Discharge Temperature	-4°F to 140°F
Storage Temperature	-4°F to 113°F: 3 Months
Warranty	12 Years

Warnings



Always dispose of Lithium Ion batteries properly.



Use an approved facility for treatment and recycling.

Li-ion



Do not expose to liquids.



Do not incinerate or heat batteries.

HANS™

Use only approved charging solutions.



Trouble Shooting

PowerPack not output power

1. Power button not engaged
 - a. Green LED will light when power button is on
2. Check the Battery Level indicator
 - a. If indicator shows no charge, plug in wall charger or place in sun to charge
3. Check PowerPack for overheating
 - a. If PowerPack is hot it will shut down, place in shade to cool
4. Check if PowerPack is plugged into device drawing too many amps or short circuited
 - a. If PowerPack was short circuited, plug in wall charger or place unit in direct sun to reset

PowerPack does not charge

1. Not enough Sunlight
 - a. Place in direct Sunlight, if cloudy or dark, plug into wall charger
2. Check PowerPack for overheating
 - a. If PowerPack is hot it will shut down, place in shade to cool

For customer care e-mail: support@HANSpowernet.com

or call 248-699-1850

HANS™

Hills Manufacturing LLC.
26700 Haggerty Road
Farmington Hills, MI 48331
70670-01

HANS™

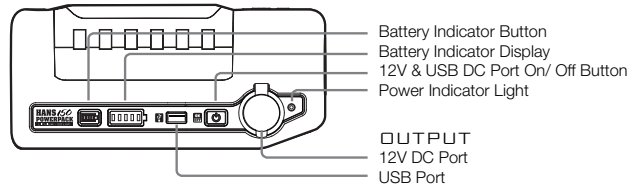


HANS 300
POWERPACK
Your Personal. Solar Power Plant

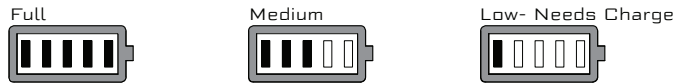
User Guide

Generate your own electrical power, store it, and use it when and how you want.

Power Pack Controls



Battery Indicator Legend

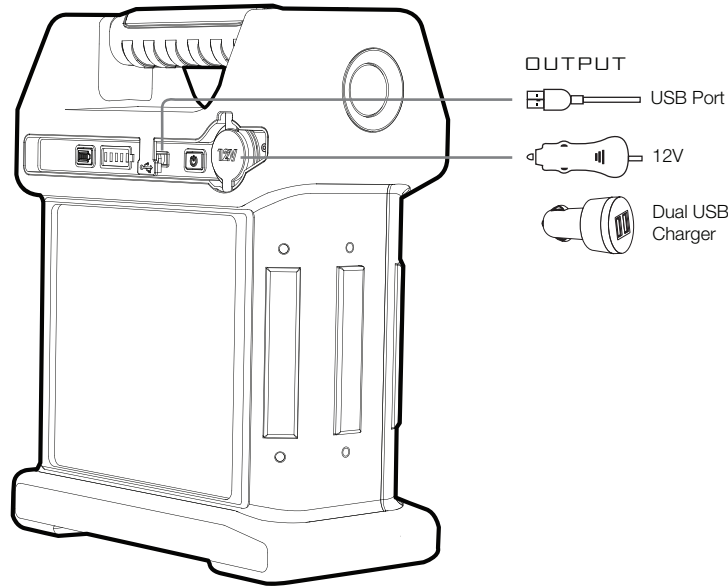


Press battery indicator button to show battery charge level (Low to Full).

While charging, the display will illuminate to show charge level. Once fully charged, display will turn off.

How to Use

Plug auxiliary devices into the HANS™ PowerPack 300.



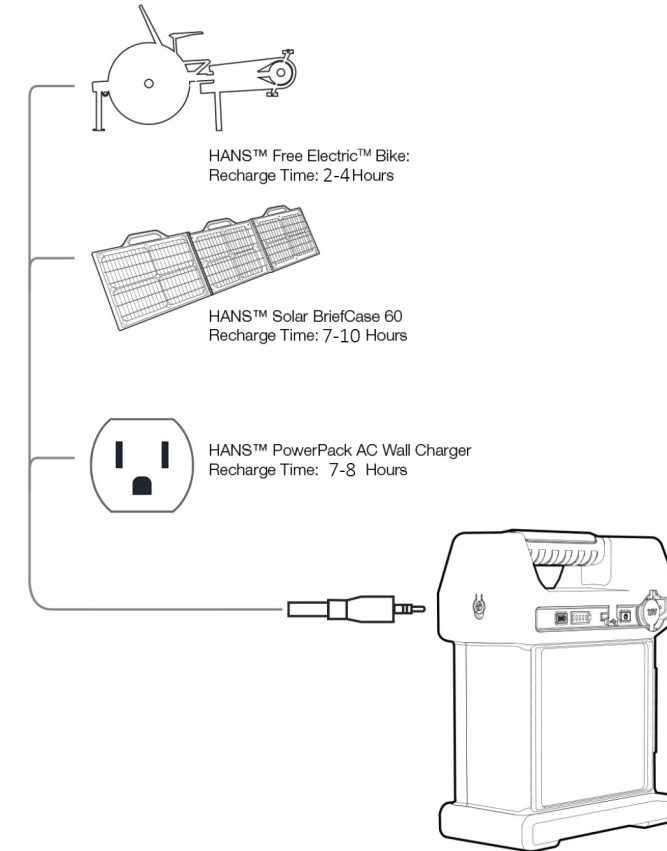
Powers:



*Results may vary.

How to Charge

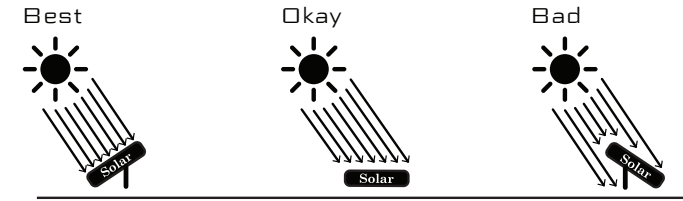
Plug charging solution into the HANS™ PowerPack 300.



Built-in Solar Panel

Place into direct sunlight for best results.

Approximate Charge Time: 66 Hours



Use kickstand to assist with sunlight positioning.

